

物料包块效果 / Baled Material Sample



南通佳宝公众号

南通佳宝机械有限公司 NanTong JiaBao Machinery Co.,Ltd  
 公司地址: 中国上海静安区江场西路299号6号楼9层 ADD: 9th Floor, # 6 Building ,Lane 299, West JiangChang Road, Shanghai, China.  
 工厂地址: 江苏省如皋市高新区新源东一路1号 Factory: No.1, East Xinyuan Road, High-tech Park, Rugao, Jiangsu, China  
 电话: 021-68563495 61400509 Tel: 0086 21 61400508  
 售后服务: 021-68564313 After-sale Service: 0086 21 68564313  
 传真: 021-58338367 Fax: 0086 21 58338367  
 网址: www.shjiejing.com www.csj-baler.com Web: https://en.shjiejing.com https://en.csj-baler.com  
 E-mail: jiajing@shjiejing.com E-mail: jiajing@shjiejing.com



**固废处理压缩打包设备**  
**Solid Waste Treatment Compression Balers**

南通佳宝机械有限公司  
Nantong Jiabao Machinery Co.,LTD

# ABOUT US 关于我们

技术 Technology 品质 Quality 服务 Service

CERTIFICATE 认证证书



- 1995年9月在上海创建公司，专业从事环保设备、包装设备的开发、生产和销售。
- 公司拥有 **Jewel** 和 **CST** 品牌商标。
- 2004年10月江苏工厂投入建设，06年8月竣工同时通过验收。
- 2006年获得国家多项设计专利，并在产品应用上取得优秀表现。
- 2007年扩建生产规模，并获得“产学研示范单位”。
- 2008年通过ISO9001:2015质量管理体系认证。
- 2009年公司产品获得欧盟CE安全认证。
- 2012年公司获得TUV及SGS认证。
- 2015年公司投入第二工厂，面积达到33300平方米。
- 2016年公司建立智能压缩设备工程技术研究中心。
- 2017年公司获得高新技术企业、高新技术产品认定证书。
- 2018年获得发明专利12项，实用新型专利52项，外观设计专利3项。研发出纸板纸管破碎机、全自动高速套袋机等产品，获市场上一致好评。
- 2019年产品销售全球120多个国家和地区，服务过二千多家知名企业，拥有丰富的经验，并能为您提供更合理的解决方案。
- 2021年荣获专精特新“小巨人”称号。主营“液压打包机”系列产品被荣选为“中国绿色节能环保产品”。
- 2022年荣获省级“江苏省服务型示范制造企业”称号。
- 2023年获得发明专利16项、实用新型专利12项。我们拥有优秀的管理团队、技术团队、销售团队以及服务团队，不断提高我们的产品质量，确保我们的产品为客户创造出最大的价值。
- 2024年，我们全面升级品牌战略，踏入无限未来的新征程。
- In September 1995, Jewel was established in Shanghai, specializing in developing, manufacturing and selling of eco-friendly packing equipment.
- We have two trademarks and trade names which are **Jewel** and **CST**.
- In October 2004, the first factory of Jewel was put into construction in Jiangsu, completed and inspected in August 2006.
- In 2006, we obtained multiple national designing patents and achieved excellent performance of product application.
- In 2007, the factory was expanded to bigger production scale, and Jewel won the "Model of Enterprises, Universities, and Institutions Award".
- In 2008, Jewel got authentications of ISO9001:2015, the Quality Management System.
- In 2009, we obtained CE Safety Certificate from EU.
- In 2012, we obtained TUV Certificate and SGS Certificate.
- The second factory with an area of more than 30,000 square meters of Jewel Machinery was started and successfully finished in 2015.
- In 2016, Jewel established an Intelligent Compression Research Center, heading into the AI era.
- In 2017, Jewel obtained the High-Tech Enterprise Award and High-Tech Product Certificate.
- In 2018, We have obtained 12 invention patents, 52 new utility patents and 3 appearance designing patents. The new type crusher and high-speed bagging machine developed by Jewel Machinery received huge response from market.
- Our products have been sold to more than 120 countries and regions around the world, and we have served more than 2,000 well-known enterprises till 2019. We have rich experience and can provide customers with suitable solutions.
- In 2021, Jewel won "Little Giant of Specialization, Refinement, Peculiarity and Novelty". The main products, Hydraulic Baler Series, have been awarded as "China's Energy-Saving and Environmental Product", making us one of the industry models.
- In 2022, Jewel was awarded the title "Service-Oriented Model Manufacturer" of Jiangsu Province.
- Jewel obtained 16 invention patents and 12 new utility patents in 2023. Jewel has an excellent management team, professional technical teams, sales teams and service teams to continuously improve quality and to ensure that our products create the greatest value for customers.
- 2024: Jewel is upgrading the brand strategy and embarking on a new journey into infinite future.



关于我们 / About Us



获得欧盟“CE安全体系认证”  
CE Safety System Certificate



获“专精特新”证书  
Obtained the Certificate of  
"Specialization and Special New"



获“SGS”认证供应商  
"SGS" Certificate



荣获“高新技术企业”证书、“江苏省工程技术研究中心”认定  
Won the "High-tech Enterprise" certificate and the "Jiangsu Provincial Engineering Technology Research Center" certification



获“TUV”认证  
"TUV" Certificate



通过了“ISO 9001: 2015质量管理体系认证”  
“ISO 14001: 2015环境管理体系认证”  
Passed ISO 9001-2015 QMSC  
Passed ISO 14001-2015 EMSC

## 卧式全自动打包机 >>

### Horizontal Full-automatic Balers

卧式全自动化机型，分为自动铁丝捆包，和塑钢绳(PET)捆包，广泛应用于废纸、纸板、塑料、布料、纤维、生活垃圾等材料的压缩打包，可配套流水线、风管送料等使用方式。

采用三面收口反拉式，通过油缸自动收紧与放松，稳定有力。PLC程序，触摸屏控制，操作简单，自带加料检测，自动压缩，实现无人化作业。

独特的自动捆包装置，速度快，结构简单，动作稳定，故障率低且易于清洁保养。

配有启动电机和增压电机，省电，省能耗，节省成本。故障自动诊断，自动显示，提高检测效率，可自由设定包块长度，准确记录打包数值。

独特的凹式多点切刀设计，提高了切断效率，延长切刀的使用寿命。三相电压，安全联锁，简单耐用，可配风管或输送线上料，效率更高。

The tying mechanism of horizontal automatic balers including automatic iron wire strapping and PET strapping. It offers a combination of features to meet your recycling needs, popularly used in the recycling of waste paper, cardboard, plastic, fabric, fiber, household garbage, and others. Connection with a conveyor or air pipe line for waste feeding is available.

Three sides pull-back compression design with a powerful cylinder, the comprehensive touch screen PLC control ensures simple and easy operation, the automatic feeding detection feature help to achieve unmanned operation. The unique designed automatic strapping device offers a simple, fast and stable performance with effortless maintenance. Equipped with start-up motor and pressurized motor to save electrical energy and cost. The inspection and display function improve the efficiency of automatic error diagnostics. It is capable of producing bales in designated length and the production can be accurately recorded by the system.

The horizontal baler has three-phase voltage and safety interlock device, the unique design of the blade pattern enhances cutting efficiency and lengthens the working life of the blade.



扫码观看视频  
Scan here to watch the video

# 卧式全自动打包机 >>

## Horizontal Full-Automatic Balers



扫码观看视频  
Scan QR code to watch the video

# 卧式全自动打包机 >> Horizontal Full-Automatic Balers



扫码观看视频  
Scan QR code to watch the video



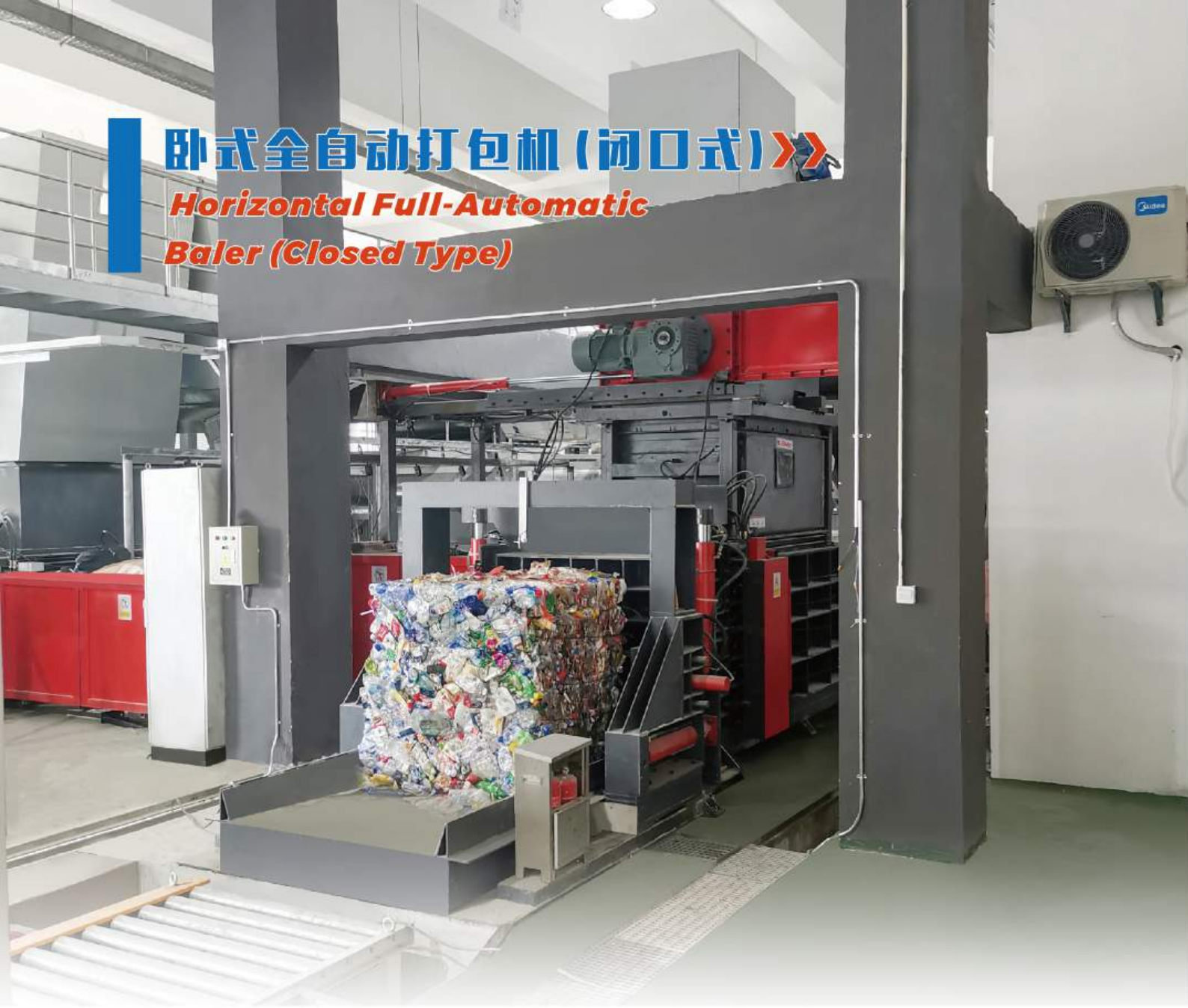
型号 Model	压绳力 Hydraulic Power (Ton)	包块尺寸 Bale Size (W*H*L) mm	加料口尺寸 Feed Opening Size (L*W) mm	打包密度 Bale Density (kg/m³)	捆包道数 Bale Lines	打包能力 Output (Ton/hr)	功率/马力 Power (KW/HP)	机器尺寸 Machine Size (L*W*H) mm	机器重量 Machine Weight (Ton)
JPW30QT	30	500*500*(300-1000)	950*450	250-300	3	1-1.5	11/15	5000*2750*1800	4
JPW40QT	40	720*720*(300-1500)	1150*680	350-450	4	1.5-2.5	15/20	6100*3200*1950	6.5
JPW40QT-P	40	720*800*(300-1500)	1350*680	350-450	4	2-3	15/20	6600*3200*2100	7
JPW60QT	60	750*850*(300-1600)	1500*700	400-500	4	3-4	22/30	6900*3300*2100	8
JPW60QT-P	60	1100*800*(300-1600)	1600*1050	400-500	4	3-6	30/40	7100*4200*2100	9.5
JPW80QT	80	1100*800*(300-1800)	1650*1050	450-550	4	4-7	37/50	7900*4200*2100	11
JPW80QT-P	80	1100*900*(300-1800)	1800*1050	450-550	4	5-8	37/50	8200*4200*2200	12
JPW100QT	100	1100*900*(300-2000)	1800*1050	500-600	4	6-10	45/60	8400*4300*2400	13.5
JPW100QT-P	100	1100*1100*(300-2000)	2000*1050	500-600	4	7-11	45/60	8800*4300*2400	15
JPW120QT	120	1100*1100*(300-2100)	2000*1050	550-650	5	8-13	52/70	9100*4300*2400	17
JPW120QT-P	120	1100*1250*(300-2100)	2200*1050	550-650	5	9-14	60/80	9500*4300*2600	18
JPW150QT	150	1100*1100*(300-2100)	2200*1050	600-750	5	10-16	85/114	9800*4300*2400	20
JPW150QT-P	150	1100*1250*(300-2100)	2400*1050	600-750	5	12-18	93/124	10200*4300*2600	22
JPW200QT	200	1100*1100*(300-2100)	2400*1050	700-850	5	14-20	101/135	10500*4370*2500	30
JPW200QT-P	200	1100*1250*(300-2100)	2600*1050	700-850	5	15-22	101/135	11000*4370*2700	32
JPW250QT	250	1100*1250*(300-2100)	2800*1050	850-1000	5	16-25	110/147	12000*4468*2700	35

\* 以上参数可根据客户要求定制。The above parameters can be customized according to customer's requirement.



# 卧式全自动打包机(闭口式)

## Horizontal Full-Automatic Baler (Closed Type)



带门式卧式全自动打包机，自动压缩打包。广泛用于塑料、纤维、垃圾等行业。

采用闭口式上下开门结构,使包块密度更高,包型更佳。特殊的出包装置,安全牢固。

连续加料、压缩、自动捆包,效率高。

故障自动诊断、显示,提高检测效率。

Horizontal Full-automatic baler(Closed Type) is widely used in the recycling for plastics, fiber, garbage, and other recycling industries.

It features a unique hydraulic up-and-down blocking door structure to secure the high density of the bale and to satisfy your requirement for the shape of the baled material.

Automatic tying function and bale delivery design, continuous feeding and compression system serve to maximize efficiency.

It also equipped with error diagnostics and display function to ensure seamless operation.



扫码观看视频  
Scan Here to Watch the Video



型号 Model	压缩力 Hydraulic Power (Ton)	包块尺寸 Bale Size (W*H*L) mm	加料口尺寸 Feed Opening Size (L*W) mm	捆包道数 Bale Lines	包块重量 Bale Weight (KG)	功率/马力 Power (KW/HP)
JPW40BL-QT	40	720*720*1100	1150*720	4	250-350	15/20
JPW60BL-QT	60	750*850*1100	1350*750	4	350-500	22/30
JPW80BL-QT	80	1100*800*1200	1500*800	4	450-600	37/50
JPW100BL-QT	100	1100*1100*1200	1650*1100	5	550-750	45/60
JPW120BL-QT	120	1100*1100*1200	1800*1100	5	700-1000	67/90
JPW150BL-QT	150	1100*1250*1500	2000*1100	5	800-1100	93/124

\* 以上参数可根据客户要求定制。The above parameters can be customized according to customer's requirement.

# 双压头压缩打包机 >>

## Twin Ram Compression Baler



扫码观看视频  
Scan Here to Watch the Video



型号 Model	压缩力 Hydraulic Power (Ton)	包块尺寸 Bale Size (L*W*H) mm	加料口尺寸 Feed Opening Size (L*W) mm	处理量 (Ton/hr)	功率/马力 Power (KW/HP)	重量 Weight (Ton)
JPW100Q-Z	60+40	750*500*500	650*460	1-2	15/20	3
JPW150Q-Z	80+70	1000*750*750	1200*720	3.5-5	30/40	12
JPW200Q-Z	120+80	1400*1100*750	1800*1050	8-15	45*2/120	22
JPW250Q-Z	150+100	1700*1500*750	2100*1450	11-18	45*3/180	26

\* 以上参数可根据客户要求定制。The above parameters can be customized according to customer's requirement.



双压头压缩打包机广泛应用于各类纸张、塑胶薄膜、铁罐、铝罐等材质。  
采用主缸压缩，侧缸推出的原理，可适应各种不同材料。采用进口铁丝捆扎系统，稳定可靠，可设定捆扎线数及间距。专业的人机界面，可根据不同材料设定操作模式。

Double cylinder compression baler is widely used in recycling of paper, plastic film, tin, aluminum cans and many other materials. Main compression cylinder and side pushing cylinder work together holistically, suitable for compressing different types of material. It adopts imported wire tying system with customizable feature of tying setting on space and lines. Professional digital control interface with wide selection of modes for various materials operation available.

# 卧式半自动打包机 >>

## Horizontal Semi-Automatic Balers

闭口式液压上下提升开关门结构，一次性出包，出包后无需及时移包。

高强度出包门，双缸自动开关门装置，安全可靠。

PLC程序，电动按钮控制，操作简单，自带加料检测，自动压打包长度可设定，且设有捆包提醒装置。

Closed hydraulic up and down lifting door structure, one-time out of the bale, no need to timely move the bale after bale is out.

High strength exit door, it is with double cylinder automatic door opening and closing device, safe and reliable.

PLC program, electric button control, easy operation, self-contained feeding detection, automatic pressing and baling length can be set, and a baling reminder device.



扫码观看视频  
Scan Here to Watch the Video



型号 Model	压缩力 Hydraulic Power (Ton)	包块尺寸 Bale Size (W*H*L) mm	加料口尺寸 Feed Opening Size (L*W) mm	包块重量 Bale Weight (KG)	捆包道数 Bale Lines	出包方式 Bale Output type	功率/马力 Power (KW/HP)	机器尺寸 Machine Size (L*W*H) mm	机器重量 Machine Weight (Ton)
JPW40BL	40	720*720*(300-1000)	1000*720	250-350	4	一次性出包 Automatic Output	15/20	5500*1150*1900	5
JPW60BL	60	750*850*(300-1100)	1200*750	350-500	4	一次性出包 Automatic Output	18.5/25	6490*1370*2060	6.8
JPW80BL	80	1100*800*(300-1100)	1350*1100	500-600	4	一次性出包 Automatic Output	22/30	6900*1870*2100	8.4
JPW100BL	100	1100*1100*(300-1200)	1500*1100	600-800	5	一次性出包 Automatic Output	30/40	7600*1650*2500	9.7
JPW120BL	120	1100*1250*(300-1200)	1600*1100	800-1000	5	一次性出包 Automatic Output	37/50	7600*1750*2500	12.5
JPW150BL	150	1100*1250*(300-1300)	1800*1100	1000-1200	5	一次性出包 Automatic Output	45/60	8800*1850*2650	14

\* 以上参数可根据客户要求定制。The above parameters can be customized to customer's requirement.

# 卧式半自动打包机 >>

## Horizontal Semi-Automatic Balers



扫码观看视频  
Scan Here to Watch the Video



适用各种卡纸类、塑料类、纤维、海绵、布料等多种常规物料压缩打包；广泛应用于各类工厂、回收处理等行业。

The horizontal Semi-Automatic Balers are suitable for conventional materials like paperboard, plastic, fiber, sponge, cloth, etc. It is extensively used in various types of factory and recycling industries.

闭口式左右开关门结构，使包块压缩更结实。

The left-right close door design help to achieve the highest bale density possible.

高强度出包门，液压锁门，操作安全便捷。

High-strength hydraulic door with hydraulic locking function ensures a safe and easy operation process.

PLC程序控制，电动按钮操作，自带加料检测，自动压缩。

PLC system and comprehensive electronic interface control are designed for the ease of use. It incorporates feeding detection and continuous automatic compression, with the capability of producing bale in designated size and includes tying notification device.

打包长度可设定，且设有捆包提醒装置。

型号 Model	压缩力 Hydraulic Power (Ton)	包块尺寸 Bale Size (W*H*L) mm	加料口尺寸 Feed Opening Size (L*W) mm	包块重量 Bale Weight (KG)	捆包道数 Bale Lines	出包方式 Bale Output Type	功率/马力 Power (KW/HP)	机器尺寸 Machine Size (L*W*H) mm	机器重量 Machine Weight (Ton)
JPW40BC	40	720*720*(300-1000)	1000*720	250-350	4	一次性出包 Automatic Output	15/20	6500*1200*1900	4.3
JPW60BC	60	750*850*(300-1100)	1200*750	350-500	4	一次性出包 Automatic Output	18.5/25	7200*1310*2040	6.5
JPW80BC	80	1100*800*(300-1100)	1350*1100	500-600	4	一次性出包 Automatic Output	22/30	8100*1550*2300	8.2
JPW100BC	100	1100*1100*(300-1100)	1500*1100	600-800	5	一次性出包 Automatic Output	30/40	8300*1600*2400	11
JPW120BC	120	1100*1250*(300-1200)	1600*1100	800-1000	5	一次性出包 Automatic Output	37/50	8500*1600*2400	12.6
JPW150BC	150	1100*1250*(300-1300)	1800*1100	1000-1200	5	一次性出包 Automatic Output	45/60	8800*1850*2550	14.5

\* 以上参数可根据客户要求定制。The above parameters can be customized according to customer's requirement.

## 自动压缩套袋机 >>

### Automatic Compressing Bagging Machine



扫码观看视频  
Scan Here to Watch the Video



主要适用于木屑、木材刨花、青储、稻壳、棉籽壳、甘草、纤维、玉米芯、粉碎秸秆、甘草、啤酒花等碎料的压缩。套袋一次完成，方便储存，降低运输成本。

半自动压缩套袋机，采用PLC控制系统，自动压缩，人工套袋封口，循环自动工作，操作简单，使用人工上料或自动上料均可。可选配自动套袋包装生产线。

The product is mainly used for the compression of wood chips, wood shavings, corn silage, rice husk, cottonseed hulls, licorice, fiber corncob, straw, hay, hops, and other scraps. The bagging is completed in one go while reducing transportation cost with easy storage benefit.

Semi-automatic compression bagging machine implements PLC interface control system. The automatic compression and manual bagging/sealing deliver operational efficiency and ease of operation. The operator can choose auto or manual mode for material feeding, an automatic bagging system can be added as an option.

型号 Model	压缩力 Hydraulic Power (Ton)	出包口外尺寸 Ejecting Opening Outer Size (L*W*H) mm	加料口尺寸 Feed Opening Size (L*H) mm	打包能力 Capacity (Ton/hr)	功率马力 Power (KW/HP)	机器尺寸 Machine Size (L*W*H) mm	机器重量 Machine Weight (KG)	包装袋尺寸 Package Size (W*H) mm
JPW-KT90	40/50	700*394*326	1200*700	1.5-1.8	15/20	3920*2880*1700	2400	740*1150
JPW-KT110	50/60	700*394*326	1200*700	2-2.5	18.5/25	3920*2900*1700	2700	740*1150
JPW-KT140	60/80	700*394*326	1200*700	2.5-3	22/30	3920*2880*1700	3000	740*1150
JPW-KT180	100/120	700*450*270	1200*700	2.5-3	30/40	4250*3100*1700	4300	740*1150

\* 以上参数可根据客户要求定制。The above parameters can be customized to customer's requirement.

## 全自动高速压缩套袋包装线 >>

### Automatic Compressing and Bagging Production Line



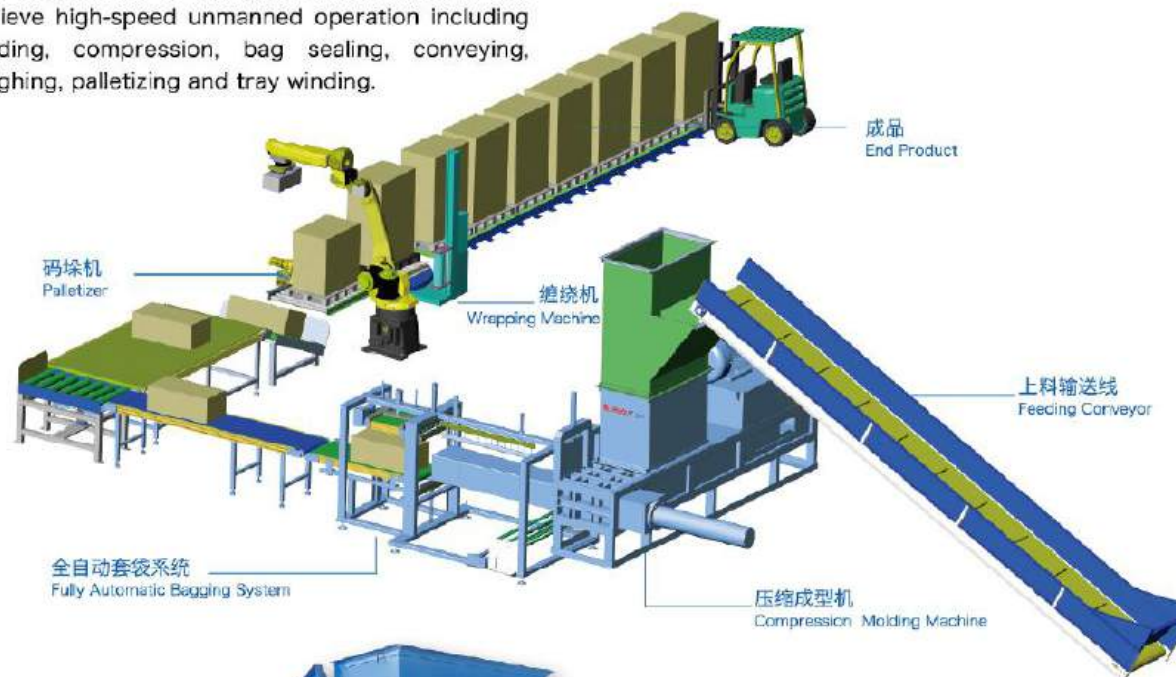
扫码观看视频  
Scan Here to Watch the Video

全自动压缩套袋包装生产线，实现从进料、压缩、制袋封切、输送称重、码垛托盘缠绕等无人化自动操作控制，速度快，安全可靠。

高速套袋机每小时90-120袋；  
可选配自动称重装置；  
可配自动套袋系统实现打包、码垛等无人化生产。

The high-speed bagging system delivers 90-120 bales per hour; The weighing device can be added as an option; Automatic bagging system can be installed optionally to achieve unmanned production such as auto baling and palletizing.

Fully automatic compressing and bagging production line is an integrated packaging solution specifically engineered to suit your requirement. It can achieve high-speed unmanned operation including feeding, compression, bag sealing, conveying, weighing, palletizing and tray winding.



# 全自动压缩裹包生产线 >>

## Automatic Compressing and Bale Wrapping Production Line



扫码观看视频  
Scan Here to Watch the Video

适用：生活垃圾、固废，如薄膜、塑料类、有机物料、纤维等压缩（捆扎）裹包打包，密封性好，无碎料掉落，方便储存与运输。

全自动压缩裹包生产线，物料经过输送、压缩（捆扎）再进行六面薄膜缠绕裹包，性能稳定，产量高，无环境污染。采用一体式无捆扎式设计和分体式有捆扎式设计。

六面缠绕机为CROSS WRAP 原装进口。

Application: Domestic garbage and solid waste, such as film, plastic, organic materials, fibers, etc., are compressed (bundled) and packaged, with good sealing performance and no debris falling, facilitating storage and transportation.

Fully automatic compression wrapping production line, materials are transported, compressed (bundled), and then wrapped with six sided film, with stable performance, high output, and no environmental pollution. The integrated non bundling design and the split bundling design are adopted.

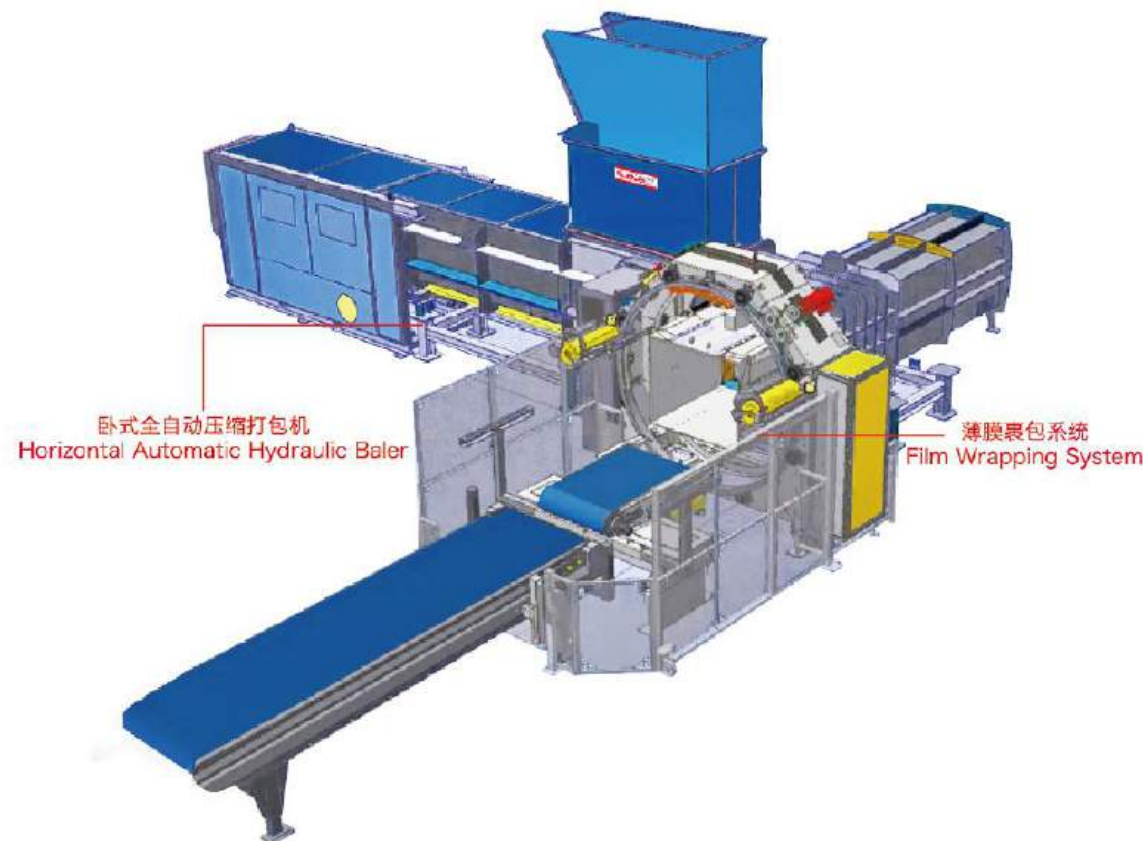
The six-sided wrapping machine is originally imported from CROSS WRAP.



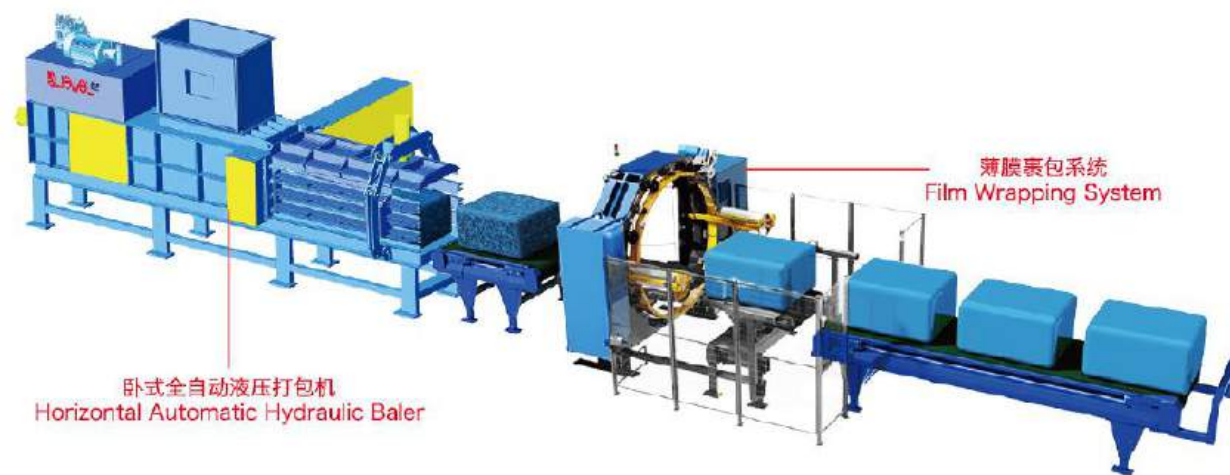
功率 Power KW	主缸压力 Mainly Cylinder KN	推包缸压力 Push Cylinder KN	出包缸压力 Out Bale Cylinder K	打包尺寸 Bale Size L*W*H(mm)	打包能力 Capacity 包/小时 Bale/H	机器重量 Machine Weight KG
142	2000	2000	300	1100*1100*1500	30-40	37000

\* 以上参数可根据客户要求进行定制。The above parameters can be customized to customer's requirement.

## 自动压缩（无捆扎）六面裹包生产线 Automatic Compressing (no bundle) Six Side Wrapping Production Line



## 自动压缩（捆扎式）六面裹包生产线 Automatic Compressing (bundle) Six Side Wrapping Production Line



## 智能压缩垃圾桶 >>

### Intelligent Waste Compactor



扫码观看视频  
Scan Here to Watch the Video



内部细节1

内部细节2

应用范围：机场、快餐店、学校、医院、公园、超市等场所产生的垃圾，包括饮料盒、餐巾纸、快餐盒、塑料瓶、报纸、宣传单、废旧织物、易拉罐等可回收垃圾，以及果皮、菜皮、剩菜剩饭等有机厨余垃圾。

根据垃圾的量自动压缩；  
垃圾箱自动感应开启投料门（或感应到推门动作后自动打开）；  
垃圾箱装满后自动提示；  
工作效率是普通垃圾箱4-6倍；压缩前垃圾箱容积大约115L，压缩后容积约460-690L。未压缩垃圾大约每小时需要替换1-2次，压缩后大约3-5小时替换一次。  
节约人工及材料成本约50%；  
压缩垃圾桶带有紫外线杀菌功能；  
节省垃圾的运输成本60%。

Scope of application: Garbage generated by airports, fast food restaurants, schools, hospitals, parks, supermarkets, etc., including beverage boxes, napkins, snack boxes, plastic bottles, newspapers, leaflets, waste fabrics, cans and other recyclable garbage, organic kitchen waste such as vegetable skins and leftovers.

Automatic compaction based on the amount of garbage.  
A full automatic sensor opening.  
An automatic indication when the bin is full.  
The waste compactor enhances the garbage capacity by 4-6 times than the ordinary garbage bin, it increases efficiency and reduces the cost of labor and plastic bags by 50%-60%.  
Compactor is equipped with a UV antivirus function.  
Eliminates over-filling while reducing the collection and delivery cost by 60%.

型号 Model	加料口尺寸 Feed Opening Size (L*H) mm	储料箱内尺寸 Storage Bin Size (mm)	电压 (可定制) Voltage (Customizable) (V/HZ)	功率/马力 Power (KW/HP)	机器尺寸 Machine Size (L*W*H) mm	机器重量 Machine Weight (KG)
JP1-B	400*350	480*460*500	220/50	0.3/0.4	655*620*1400	140

\* 以上参数可根据客户要求进行定制。The above parameters can be customized to customer's requirement.

## 小型生活垃圾自动压缩机 >>

### Small Size Auto Household Waste Compressor



内部细节1

内部细节2



适用于海上平台、医院学校、宾馆饭店、轮船、列车等公共场所。

密封性能好，防止异味外泄。

可加紫外线和臭氧发生器，具有消毒杀菌功能。

采用普通垃圾袋及垃圾箱即可。

采用先进的油压系统，性能稳定，操作简单，安全可靠。

This product is extensively used for ocean platforms, hospitals, schools, hotel, and restaurants.

The unique design ensures excellent sealing to prevent the odor from leaking. UV and ozone generator can be added for sterilization. Standard trash bag and dustbin can be used inside of the compactor.

Advanced hydraulic system with stable performance offers the user with many advantages such as reliability, sustainability, and easy operation.

型号 Model	压缩力 Hydraulic Power (Ton)	包块尺寸 Bale Size (L*W*H) mm	加料口尺寸 Feed Opening Size (L*H) mm	打包能力 Output (Bales/Hr)	压缩腔尺寸 Compression Chamber Size (L*W*H) mm	电压 (可定制) Voltage (Customizable) (V/HZ)	功率/马力 Power (KW/HP)	机器尺寸 Machine Size (L*W*H) mm	机器重量 Machine Weight (KG)
JP-T1	1	460*450*460	450*380	5	460*450*1000	220/50	1/1.5	555*520*1800	250

\* 以上参数可根据客户要求进行定制。The above parameters can be customized to customer's requirement.

# 小型立式打包机 >>

## Small Vertical Balers



扫码观看视频  
Scan Here to Watch the Video



扫码观看视频  
Scan Here to Watch the Video



适用于产生废纸，废塑料等软性垃圾的工厂及场所压缩打包。

采用液压传动，稳定耐用。移动方便，适用楼层较低的场地使用。预设捆包带，方便快捷。安全联锁，自动翻包装置。

Designed for a variety of applications including the recycling of waste paper, plastics, and soft rubbish. The hydraulic transmission delivers stability and durability performance. Light-weight design and strap pre-set feature improve efficiency. Safety interlocking system and automatic bale pushing feature to allow for better worker safety and easy operation.



适合较小物料的压缩打包，广泛用于工厂、船舶、宾馆等场所。小型方便，单相电压，适用较小物品压缩打包。无需开门捆包，操作简单。自动特殊翻包装置。开门联锁，安全可靠。

It is suitable for smaller materials, extensively used in factories, vessels, and hotels. The light-weight design brings benefits when moving is often required. Single-phase voltage, with easy strapping feature and automatic ejection of baled material. Interlocking system improves worker safety.

型号 Model	压缩力 Hydraulic Power (Ton)	包块尺寸 Bale Size (L*W*H) mm	加料口尺寸 Feed Opening Size (L*H) mm	打包能力 Output (Bales/hr)	包块重量 Bale Weight (Kg)	功率/马力 Power (KW/HP)	机器尺寸 Machine Size (L*W*H) mm	机器重量 Machine Weight (KG)
JP8060T5X	5	800*600*400	650*470	4-7	50-80	2.2/3	1100*1000*2150	550
JPA070T10X	10	1000*700*500	900*470	4-7	80-120	3/4	1300*950*2380	750

\* 以上参数可根据客户要求定制。The above parameters can be customized to customer's requirement.

型号 Model	压缩力 Hydraulic power (Ton)	包块尺寸 Bale Size (L*W*H) mm	加料口尺寸 Feed Opening Size (L*H) mm	打包能力 Output (Bales/hr)	包块重量 Bale Weight (Kg)	功率/马力 Power (KW/HP)	机器尺寸 Machine Size (L*W*H) mm	机器重量 Machine Weight (KG)
JP5947T2	2	590*470*(350-600)	590*355	4-7	30-50	0.75	770*700*1930	350

\* 以上参数可根据客户要求定制。The above parameters can be customized to customer's requirement.

## 小型立式打包机 >>

### Small Vertical Balers



扫码观看视频  
Scan Here to Watch the Video



小型立式打包机，适用各企业生产现场的固废压缩打包。方便快捷，安全联锁，自带翻包系统，A型为不锈钢内胆，工作台有接液槽，适用乳制品及饮料行业。

Small vertical balers are designed to provide compression solution for solid waste and various applications in the manufacturing field. Lightweight body design with safety interlock feature and automatic bale ejection system provide better worker safety and improved efficiency.

Type A baler uses stainless steel inner chamber with a liquid tray on the bottom to meet your compression needs of materials with liquid, such as beverage and dairy recycling.



型号 Model	压缩力 Hydraulic Power (Ton)	包块尺寸 Bale Size (L*W*H) mm	加料口尺寸 Feed Opening Size (L*H) mm	打包能力 Output (Bales/hr)	包块重量 Bale Weight (KG)	电压 (可定制) Voltage (Customizable) (V/Hz)	功率/马力 Power (KW/HP)	机器尺寸 Machine Size (L*W*H) mm	机器重量 Machine Weight (KG)
JP6040T10A JP6040T10B	10	600*400*(350-600)	540*450	6-8	50-80	380/50	2.2/3	950*780*2150	600

\* 以上参数可根据客户要求定制。The above parameters can be customized to customer's requirement.

## 中型立式打包机 >>

### Medium-Sized Vertical Balers



扫码观看视频  
Scan Here to Watch the Video



适用范围较广，可用于废纸、纸箱纸盒、塑料膜及PET瓶(无盖)、皮革、纤维等物料回收打包。

采用一体式设计，按钮集中控制，安全联锁及自动翻包装置，操作方便简单。快捷开门方式，安全可靠。优质的零配件，保证设备的使用寿命。

It has a wide range of applications and can be used for recycling and packaging waste paper, carton boxes, plastic films, PET bottles (without caps), leather, fibers, etc.

It adopts one-piece design, centralized button control, safety interlock and automatic bale turnover device, which is convenient and simple to operate. Fast door opening method, safe and reliable. High-quality spare parts ensure the service life of the equipment.



型号 Model	压缩力 Hydraulic Power (Ton)	包块尺寸 Bale Size (L*W*H) mm	加料口尺寸 Feed Opening Size (L*H) mm	打包能力 Output (Bales/hr)	包块重量 Bale Weight (KG)	电压 (可定制) Voltage (Customizable) (V/Hz)	功率/马力 Power (KW/HP)	机器尺寸 Machine Size (L*W*H) mm	机器重量 Machine Weight (KG)
JP8060T15	15	800*600*(400-800)	800*450	4-7	50-120	380/50	3/4	1280*900*2870	850
JP8060T20	20	800*600*(400-800)	800*450	4-7	80-120	380/50	4/5.5	1280*900*3020	1050
JP8060T30	30	800*600*(400-800)	800*450	4-7	100-150	380/50	5.5/7.5	1280*900*3050	1200

\* 以上参数可根据客户要求定制。The above parameters can be customized to customer's requirement.

# 中型立式打包机 >>

## Medium-Sized Vertical Balers



扫码观看视频  
Scan Here to Watch the Video



扫码观看视频  
Scan Here to Watch the Video



适用于废纸、塑料、纸盒纸箱、棉纱等常规物料的回收压缩，多种型号选择；适合各类企业、物流及超市行业使用，对于整纸箱的回收打包尤其适用。

立式一体机，前开门式，占地小，是减容回收理想机型。  
加料腔采用防止物料反弹装置，大大节省加料时间。  
独立式填料口及自动翻包装置，操作方便简单，加料口安装联锁装置，安全可靠。  
新型结构，U型压板，坚固防偏压。  
双连动锁开门装置，快速、方便、安全。  
采用英国进口密封件，提高油缸的使用寿命。  
油管接头采用锥形无垫圈形式链接，避免漏油。

The applications including waste paper, plastic, carton, cotton yarn, and numerous other materials. An excellent choice for enterprises such as logistics company or supermarkets. Especially ideal for the recycling and packaging of carton waste.

Less space requirement makes it an ideal model to save costly floor space. strengthened feeding chamber features a material rebound prevention device, which greatly improves efficiency by saving feeding time. Independent feed opening, and automatic out-bale design deliver easy operation, the interlocking device is installed to improve worker safety.

The newest design features a U-shaped pressure plate to provide precise compression. Patented door locking system enhances operation speed and protection. The UK Imported sealing parts are used to increase the lifespan of the cylinder. Unique tube fittings are connected in a tapered, gasket-free form to prevent oil leakage.

简易操作机型，五种压力型号选择，适用范围广泛，应用各种固废物料，性价比高，应用于中小企业及废品回收等行业。本机采用液压传动，具有独立的压板平衡装置。采用手动阀工作方式，操作方便简单。独立式填料口及自动翻包装置，安全可靠。

Five models offer a wide range of pressure force selection, widely used for compression of various solid waste materials. The benefit of easy operation and cost-effective making it a great fit for small-medium companies in waste recycling industries. This baler integrates hydraulic transmission, with independent compression balance system. Manual control with special feed opening and automatic out-bale device offer simple operation and years of reliable service.

型号 Model	压缩力 Hydraulic Power (Ton)	包块尺寸 Bale Size (L*W*H) mm	加料口尺寸 Feed Opening Size (L*H) mm	打包能力 Output (Bales/hr)	包块重量 Bale Weight (KG)	功率/马力 Power (KW/HP)	机器尺寸 Machine Size (L*W*H) mm	机器重量 Machine Weight (KG)
JPA1070T30C	30	1100*700* (650-900)	1100*500	3-6	150-250	5.5/7.5	1500*950*3150	1200
JPA1075T40C	40	1100*750* (650-900)	1100*500	3-5	200-350	5.5/7.5	1500*1000*3150	1700
JPA5075T50C	50	1500*750* (700-1000)	1500*600	3-5	350-500	7.5/10	1850*1200*3300	2300

\* 以上参数可根据客户要求定制。The above parameters can be customized according to customer's requirement.

型号 Model	压缩力 Hydraulic Power (Ton)	包块尺寸 Bale Size (L*W*H) mm	加料口尺寸 Feed Opening Size (L*H) mm	打包能力 Output (Bales/hr)	包块重量 Bale Weight (KG)	功率/马力 Power (KW/HP)	机器尺寸 Machine Size (L*W*H) mm	机器重量 Machine Weight (KG)
JP-C15A	15	800*600*(400-800)	800*450	4-7	50-120	3/4	1070*850*2850	800
JP-C20A	20	1000*700*(400-800)	1000*500	4-7	90-160	4/5.5	1400*950*3000	850
JP-C30A	30	1100*700*(450-900)	1100*500	4-7	120-200	5.5/7.5	1550*950*3050	1340
JP-C40A	40	1100*750*(450-900)	1100*500	4-7	200-250	5.5/7.5	1550*1100*3250	1500
JP-C50A	50	1100*750*(450-900)	1100*500	4-6	250-350	7.5/10	1550*1100*3250	1700

\* 以上参数可根据客户要求定制。The above parameters can be customized according to customer's requirement.

## 中型立式打包机 >>

### Medium-Sized Vertical Balers



扫码观看视频  
Scan Here to Watch the Video



适用于废纸、塑料、纸盒纸箱、废物等常规物料的回收压缩打包，型号选择性较强；适合各种中外企业、物流及超市行业使用。U型平衡装置，避免因加料不均而发生危险。投料口采用上下移动式，自动开门，方便投料。安全联锁，自带翻包系统。加料腔采用防止物料反弹装置，大大节省加料时间。优质的零配件，保证设备的使用寿命。

It is designed for the compressing and baling of waste paper, plastic, cardboard, cotton, and many other recycling applications. A broad model selection available to meet your exact recycling requirements, suitable for different enterprises such as logistic companies and supermarkets. U-shaped pressing balance system ensures precise compression and addresses the issues caused by uneven material feeding. The material input area uses an up-down automatic door design makes the feeding operation extremely easy. Safety interlock with bale ejection function, and bounce prevention design in the chamber tremendously improve the feeding efficiency. High-quality components and structure greatly extend the machine's lifespan.

型号 Model	压缩力 Hydraulic Power (Ton)	包块尺寸 Bale Size (L*W*H) mm	加料口尺寸 Feed Opening Size (L*H) mm	打包能力 Output (Bales/hr)	包块重量 Bale Weight (kg)	功率/马力 Power (kw/HP)	机器尺寸 Machine Size (L*W*H) mm	机器重量 Machine Weight (kg)
JPA1070T30M	30	1100*700*(650-900)	1050*500	3-6	150-250	5.5/7.5	1580*1100*3280	1500
JPA1075T40M	40	1100*750*(700-1000)	1050*500	3-5	200-350	5.5/7.5	1580*1150*3450	2150
JPA5076T50M	50	1500*760*(700-1000)	1450*600	3-5	350-500	7.5/10	2000*1180*3650	2500

\* 以上参数可根据客户要求定制。The above parameters can be customized according to customer's requirement.

## 双斜缸立式打包机 >>

### Crossed Cylinder Vertical Balers



适用废纸箱、纸板、塑料等较大的物料打包，双斜缸设计，降低机器高度，尤其适用空间较低的厂房等场所使用。双斜缸压缩，平稳坚固，确保机器压缩时的受力平衡，提高机器的使用寿命；移动式上下开门，方便投料；多种安全保护装置，自带翻包系统；自带铲车口，方便移动。

It is designed for pressing carton, cardboard, plastic and other larger materials, double diagonal cylinders design can reduce the height of the baler, which makes it the best suit in the low-height floor.

Double inclined cylinder compression, stable and firm; Ensure the force balance during compression and improve the service life of the machine; Mobile up and down door opening for convenient feeding; A variety of safety protection devices, self contained automatic bale turnover system; Equipped with a forklift port for easy movement.

型号 Model	压缩力 Hydraulic Power (Ton)	包块尺寸 Bale Size (L*W*H) mm	加料口尺寸 Feed Opening Size (L*H) mm	打包能力 Output (Bales/Hr)	包块重量 Bale Weight (KG)	电压(可定制) Voltage (Customizable) (V/Hz)	功率/马力 Power (KW/HP)	机器尺寸 Machine Size (L*W*H) mm	机器重量 Machine Weight (KG)
JPA5076T25X	25	1500*760*900	1500*500	3-5	200-300	380/50	7.5/10	2150*1200*2550	2100

\* 以上参数可根据客户要求定制。The above parameters can be customized to customer's requirement.

# 大型立式直角开门打包机 >>

## Large-Scale Vertical Two-Side Door Opening Type Balers



扫码观看视频  
Scan Here to Watch the Video



This model is widely used for compression of waste plastic (both solid and soft), fiber, sponges, and numerous other materials, it is ideally used for waste required to be compressed and strapped as "#" shape. Double-cylinder balance compressing system and the special hydraulic design ensure steady and balance compression, it is capable of handling the large load with automatic out-bale feature while improving safety and reliability. This model has a ninety-degree door opening design with chamber anti-rebound device, it can meet your requirement of "#" shape strapping.



广泛应用废塑料（硬质塑料、软塑料）、纤维、海绵等行业；以及需“#”字捆扎的物品压缩打包。

该机器使用双缸平衡压缩，特殊的液压系统，动力更稳定；高负荷结构，自动翻包装置，安全可靠；采用直角开门式，可进行“井”字打包；压缩腔装有物料防反弹装置。

型号 Model	压缩力 Hydraulic Power (Ton)	包块尺寸 Bale Size (L*W*H) mm	加料口尺寸 Feed Opening Size (L*H) mm	压缩腔尺寸 Chamber Size (L*W*H) mm	打包能力 Output (Bales/hr)	功率/马力 Power (KW/HP)	机器尺寸 Machine Size (L*W*H) mm	机器重量 Machine Weight (KG)
JPA080T80	80	1000*800*(500-1000)	1000*500	1000*800*1500	3-6	11Kw/15Hp	1700*1450*3500	2800
JPA080T100	100	1000*800*(500-1000)	1000*500	1000*800*1500	3-6	15Kw/20Hp	1700*1450*3500	3200
JPA080T120	120	1000*800*(500-1000)	1000*500	1000*800*1500	3-6	18.5Kw/25Hp	1700*1450*3500	3400

\* 以上参数可根据客户要求定制。The above parameters can be customized to customer's requirement.

# 大型立式四面开门打包机 >>

## Large-Scale Vertical Four-Side Door Opening Type Balers



扫码观看视频  
Scan Here to Watch the Video

适用于硬质塑料、PET瓶、干草、纤维、海绵、服装等反弹力较大的物品压缩打包，也适合需外包装套包的产品。

大型立式机型，四边开门设计；该机器使用双缸平衡压缩，特殊的液压系统，动力更稳定；高负荷结构，安全可靠；采用四边开门式，可进行“井”字打包，也可在捆包前对包块进行外包装，内腔可装防反弹装置。

This model is designed for pressing and packaging materials with higher rebound force including rigid plastics, PET bottles, hay, fibers, sponges, cloths and others.

Heavy-duty vertical hydraulic baler with double-cylinder balance compressing design, and extraordinary hydraulic system to provide continuous stable force during compression. It generates greater compression force to bale larger loads, four sides opening style with "#" shape strapping capability, also allows the materials to be packaged before strapping. Chamber anti-rebound device can be optionally installed.



型号 Model	压缩力 Hydraulic Power (Ton)	包块尺寸 Bale Size (L*W*H) mm	加料口尺寸 Feed Opening Size (L*H) mm	压缩腔尺寸 Chamber Size (L*W*H) mm	打包能力 Output (Bales/hr)	电压(可定制) Voltage (Customizable) (V/Hz)	功率/马力 Power (KW/HP)	机器尺寸 Machine Size (L*W*H) mm	机器重量 Machine Weight (KG)
JPA070T80	80	1000*700*(500-900)	1000*500	1000*700*1500	4-6	380/50	11/15	1800*1480*3500	2600
JPA070T120	120	1000*700*(500-900)	1000*500	1000*700*1500	4-6	380/50	15/20	2100*1700*3500	3200
JPA1010T160	160	1100*1000*(400-1200)	1100*800	1100*1000*2000	4-6	380/50	30/40	2100*1800*4600	6000

\* 以上参数可根据客户要求定制。The above parameters can be customized to customer's requirement.

## 立式双缸打包机 >>

### Vertical Double-Cylinder Baling Machine



扫码观看视频  
Scan Here to Watch the Video



适用范围广泛，双缸压缩，适合各种废纸类、软、硬塑料类等物料的压缩打包，广泛应用于工厂及回收行业。

此机采用液压传动，双缸运行，平稳有力；采用按钮集中控制，上置式液压系统设计，节省空间；独立式填料口及自动翻包装置，加料口安装联锁装置，操作方便安全；双液压缸式加压设计，确保机器压缩时的受力平衡；加料腔采用防止物料反弹装置，节省人工加料时间。

The double-cylinder balers are designed for a variety of applications including waste paper, soft or rigid plastic, and other materials. It is widely used in numerous recycling industries.

The hydraulic transmission double-cylinder delivers powerful compression force. The centralized interface button control system and upper hydraulic system design, allow saving valuable floor space and ease of operation. The automatic out-bale feature with an interlocking system on the material input area ensures improved safety and reliability. Unique design to deliver well-balanced compression force, with a special device installed in the feeding chamber to prevent material from rebounding.

型号 Model	压缩力 Hydraulic Power (Ton)	包块尺寸 Bale Size (L*W*H) mm	加料口尺寸 Feed Opening Size (L*H) mm	压缩腔尺寸 Chamber Size (L*W*H) mm	打包能力 Output (Bales/hr)	功率/马力 Power (KW/HP)	机器尺寸 Machine Size (L*W*H) mm	机器重量 Machine Weight (KG)
JPA1070T40	40	1100*700*(500-900)	1100*500	1100*700*1450	4-7	5.5/7.5	1800*1100*3150	1800
JPA1070T60	60	1100*700*(500-900)	1100*500	1100*700*1450	4-7	7.5/10	1800*1100*3250	2200
JPA1075T80	80	1100*750*(500-900)	1100*500	1100*750*1500	4-6	11/15	1800*1250*3400	2600
JPA1075T100	100	1100*750*(500-900)	1100*500	1100*750*1500	4-6	15/20	1800*1250*3500	3200
JPA1075T150	150	1100*750*(500-1000)	1100*500	1100*750*1600	4-6	22/30	1900*1400*3700	4500

\* 以上参数可根据客户要求定制。The above parameters can be customized according to customer's requirement.

## 重型打包机 >>

### Heavy Duty Vertical Balers



扫码观看视频  
Scan Here to Watch the Video

重型立式机型，船级焊接结构，强大的压缩力，可适用硬质塑料，如汽车保险杠、电器外壳、轮胎等物料的压缩打包。

此机专为大型物料压缩打包而特殊设计，液压开门。双缸压缩，有手动阀和电动按钮两种操作方式；活动式及固定式双重防反弹装置。

Vessel class heavy-duty welding structure, with strong hydraulic pressure to meet your baling and packaging requirement for materials like rigid plastic, vehicle bumpers, electrical equipment shell, and tires.

Specially designed for large material load, hydraulic door opening and double cylinders deliver strong compression force. It can be controlled manually or electronically, it features both fixed and movable type of anti-rebound device.



型号 Model	压缩力 Hydraulic Power (Ton)	包块尺寸 Bale Size (L*W*H) mm	加料口尺寸 Feed Opening Size (L*H) mm	压缩腔尺寸 Chamber Size (L*W*H) mm	打包能力 Output (Bales/hr)	电压(可定制) Voltage (Customizable) (V/Hz)	功率/马力 Power (KW/HP)	包块重量 Baler Weight (KG)	机器重量 Machine Weight (KG)
JP-OT100	100	1400*700*(700-1100)	1400*600	1400*700*1700	5-6	380/50	15/20	400-600	3500
JP-OT120	120	1400*700*(700-1100)	1400*600	1400*700*1700	5-6	380/50	15/20	500-700	4000
JP-OT150	150	1800*1000*(700-1250)	1800*750	1800*1000*2100	4-5	380/50	22/30	1000-1500	7000
JP-OT180	180	2000*1200*(700-1250)	2000*750	2000*1200*2100	4-5	380/50	30/40	1300-2000	9000

\* 以上参数可根据客户要求定制。The above parameters can be customized to customer's requirement.

# 提箱式打包机 >>>

## Lifting Chamber Baler



扫码观看视频  
Scan Here to Watch the Video



本机采用立式结构，液压提升箱体，方便捆包，提高工作效率。  
按钮集中电动控制，操作方便安全。  
适合需外包装套包的产品，捆包为“#”型方式。  
特殊的液压系统，保证机器的稳定耐用。  
适用于：旧衣服、羊毛、纤维、碎布等纺织类产品。

Vertical structure with hydraulically lifting chamber designed for convenient bale tying and enhanced efficiency. Electrical button control brings an easy and safe operation while it offers advantages for packing material into the “#” shape. Specially engineered hydraulic system ensures sustainability and reliability. Applications including compression of clothes, wool, fiber, rags, and other textiles.

型号 Model	压缩力 Hydraulic Power (Ton)	包块尺寸 Bale Size L*W*H (mm)	加料口尺寸 Feed Opening Size (L*W) mm	压缩腔尺寸 Chamber Size L*W*H (mm)	包块重量 Bale Weight (KG)	电压 (可定制) Voltage (Customizable) (V/Hz)	功率/马力 Power (KW/HP)	机器尺寸 Machine Size L*W*H (mm)	机器重量 Machine Weight KG
JP30LT	30	700*400*(350-700)	700*400	700*400*1250	40-60	380/50	7.5/10	1200*840*3780	1900
JP50LT	50	760*520*(400-800)	760*460	760*520*1250	80-120	380/50	11/15	1400*850*3780	2300
JP60LT	60	1000*700*(400-800)	1000*460	1000*700*1250	150-200	380/50	15/20	1750*1270*3780	2800
JP80LT	80	1100*800*(400-900)	1100*460	1100*800*1250	200-300	380/50	18.5/25	1850*1370*3800	3500
JP120LT	120	1100*800*(500-1250)	1100*600	1100*800*1650	350-550	380/50	22/30	1850*1400*4680	4200
JP150LT	150	1100*1000*(700-1450)	1100*700	1100*1000*1950	450-600	380/50	30/40	1900*1600*5250	5800

\* 以上参数可根据客户要求定制。The above parameters can be customized according to customer's requirement.

# 卧式定重压缩套袋机 >>

## Horizontal (Weight-Fixed) Compression Bagging Machine



扫码观看视频  
Scan Here to Watch the Video



适用于布料、纤维等材料的回收压缩套袋。一次加料压缩、出包和装袋完整连续动作，提高操作的方便性和生产效率。自带计重、计量，有效控制每包重量，始终一致。安全连锁，一键式操作，方便快捷。

Designed for bagging and compressing fabrics, fiber, and many other similar materials. Compression and bagging are completed in one continuous integrated motion, increasing productivity and efficiency. Weighing and counting function helps to consistently control the baled materials effectively, safety interlock and button control enhance work safety and efficiency.



型号 Model	包块尺寸 Bale Size L*W*H (mm)	包块重量 Bale Weight (KG)	电压 (可定制) Voltage (Customizable) (V/Hz)	功率/马力 Power (KW/HP)	机器尺寸 Machine Size L*W*H (mm)	机器重量 Machine Weight (KG)	包装袋尺寸 Package Size W*H (mm)
JPW-K5	400*300*100	5	380/50	5.5/7.5	2600*1750*1480	765	400*620
JPW-K10	400*400*180	10	380/50	5.5/7.5	2660*1760*1550	815	580*700
JPW-K15	550*400*250	15	380/50	5/10	2750*1810*1550	870	650*1000
JPW-K20	550*450*250	20	380/50	7.5/10	2980*2015*1550	950	700*1000
JPW-K25	600*450*250	25	380/50	11/15	3210*2330*1550	1050	700*1050

\* 以上参数可根据客户要求定制。The above parameters can be customized according to customer's requirement.

## 自动切料机 >> Automatic Feeding Cutting Machine



扫码观看视频  
Scan Here to Watch the Video

适用：橡胶、塑料、纸卷等各种物料的切割。

立式自动切料机，可选人工送料和自动送料等机型，采用特殊无缝刀具，运行平稳，双导轨柱，安全警示装置，可加装安全罩及安全网等保护装置。

卧式切料机出包口采用六格或九格分切出料，速度快，产量高，特别适合农膜回收利用。

Extensively used for cutting rubber, plastic, paper rolls, and numerous other materials. Options available for automated feeding or manual.

It equipped with a seamless design cutting blade with double guiding track and safety alarm device. Safety net and other protection accessories are optional for installation.

The horizontal cutting machine uses six or nine grids to cut the materials. Especially suitable for the recycling of agricultural film with its high-speed workflow.



型号 Model	压力 Hydraulic Power (Ton)	有效宽度 Effective Width (mm)	料口尺寸 Hopper Size (mm)	切割行程 Cutting Stroke (mm)	单次循环周期 Cycle Time (s)	功率/马力 Power (KW/HP)	机器尺寸 Machine Size (L*W*H)	重量 Weight (Ton)
JP-S60B	60	800	-	800	20-30	7.5/10	1370*800*2860	2
JP-S100B	100	1000	-	1000	20-30	11/15	2600*650*3500	2.6
JP-S160B	160	1500	-	1500	40-50	22/30	3400*800*3800	4.8
JPW-S120B	120	-	1500*800	-	30-35	22/30	7100*1850*2100	11
JPW-S200B	200	-	1800*1100	-	35-40	60/80	8100*1850*2300	25
JPW-S250B	250	-	2200*1100	-	40-45	75/100	8500*1850*2450	30

\* 以上参数可根据客户要求定制。The above parameters can be customized to customer's requirement.

## 金属剪切机 >> Hydraulic Metal Shearing Machine



该系列机型适用于金属回收加工厂、报废汽车拆解场、冶炼铸造行业，对各种形状的型钢及各种金属结构件进行冷态剪断，加工成合格炉料。

采用液压驱动，安全性能可靠，操作方便。  
安装不用底角螺丝，无电源的地方可用柴油机做动力。

This series of products are designed for the cold cutting of metal or steel parts, process into qualified recycling piece. Broadly used in metal recycling plants, scrapped automobile disassembling yards, smelting and molding industries.

Hydraulic-driven system to deliver reliable and safe performance while ensuring easy operation. No need of foundation bolt for installation and it can be powered by diesel at places without power supply.

型号 Model	最大剪切 Shearing Force (KN/T)	最大张口 Max Opening (mm)	刀口长度 Cutting Length (mm)	最大剪切材料 Max Cutting (mm)	功率/马力 Power (KW/HP)
JPY-53X63	63	240	600	30*30Φ35	7.5/10
JPY-53X80	80	280	600	35*35Φ40	7.5/10
JPY-53X100	100	320	600	35*35Φ40	11/15
JPY-53X120	120	270	600	45*45Φ45	15/20
JPY-53X160	160	320	800	55*55Φ63	18.5/25
JPY-53X200	200	380	1000	65*65Φ75	22/30
JPY-53X250	250	450	1000	70*70Φ80	2*15/40
JPY-53X315	315	520	1200	80*80Φ90	2*22/60
JPY-53X400	400	660	1200	90*90Φ100	2*30/80
JPY-53X500	500	690	1500	90*90Φ100	2*37/100
JPY-53X600	600	860	1600	105*105Φ120	2*45/120

\* 以上参数可根据客户要求定制。The above parameters can be customized to customer's requirement.

# 金属压缩打包机 >>

## Metal Compression Balers



扫码观看视频  
Scan QR Code to Watch the Video



JPY81系列液压金属打包机用于各种金属边角料（钢刨花、废钢、废铝、废铜、废不锈钢以及报废汽车等废料）的打包压缩成块，既可以降低运输和冶炼成本，又可提高产量。该系列打包机主要适用于钢厂、回收公司、车床切屑、边角料、废旧回收及有色、黑色金属冶炼行业。所有机型均采用液压驱动，可选择手动控制或PLC自动控制操作。出包形式有翻包、推包（侧推和前推）等不同方式。压缩腔尺寸和包块形状尺寸可根据用户要求来设计制定。

JPY81 series hydraulic metal balers are designed to meet your compression requirement of various metal scraps, such as steel shavings, waste steel, waste aluminum, waste copper, waste stainless steel, lathe scraps, remnants, and scrapped automobiles. It offers advantages in reducing transportation and smelting cost and increases efficiency. This series of balers are suitable for steel plants, wastes recycling enterprises, non-ferrous and ferrous metal industry.

Hydraulic compression is standard on all models, manual control or automatic PLC control are available for option. Baled material can come out by overturning or by front/side pushing. The size of the compression chamber and bales size are customizable tailor-made to your requirements.



型号 Model	压缩力 Hydraulic Power (Ton)	料箱尺寸 Chamber Size (L*W*H) mm	包块尺寸 Bale Size mm	功率/马力 Power (KW/HP)	操作方法 Operation Method	出包方式 Bale Output Type
JPY81-100A	100	1000*600*500	200*200	11/15	手动 Manual valve	翻包 Overturning block
JPY81-100B	100	1000*600*500	200*200	11/15	PLC自动 PLC automatic	侧推包 Lateral pushing block
JPY81-125A	125	1200*700*600	250*250	15/20	手动 Manual valve	翻包 Overturning block
JPY81-125B	125	1200*700*600	250*250	15/20	PLC自动 PLC automatic	侧推包 Lateral pushing block
JPY81-135A	135	1400*600*600	600*240	22/30	手动 Manual valve	推包 Pushing block
JPY81-135B	135	1400*600*600	600*240	22/30	PLC自动 PLC automatic	推包 Pushing block
JPY81-160A	160	1600*1000*700	350*350	22/30	手动 Manual valve	翻包 Overturning block
JPY81-160B	160	1600*1000*800	350*350	22/30	PLC自动 PLC automatic	侧推包 Lateral pushing block
JPY81-200A	200	1600*1200*800	450*450	30/40	手动/PLC自动 Manual valve/PLC automatic	翻包 Overturning block
JPY81-200B	200	1600*1200*800	400*400	30/40	手动/PLC自动 Manual valve/PLC automatic	侧推包 Lateral pushing block
JPY81-250A	250	2000*1400*1000	400*400	45/60	手动 Manual valve	翻包 Overturning block
JPY81-250B	250	2000*1400*1000	450*450	45/60	PLC自动 PLC automatic	侧推包 Lateral pushing block
JPY81-315A	315	2600*1750*1200	600*600	75/100	手动 Manual valve	翻包 Overturning block
JPY81-315B	315	2600*2000*1200	600*600	75/100	PLC自动 PLC automatic	侧推包 Lateral pushing block
JPY81-400A	400	2600*2000*1200	600*600	2*45/120	手动 Manual valve	翻包 Overturning block
JPY81-400B	400	3000*2000*1200	600*600	2*45/120	PLC自动 PLC automatic	侧推包 Lateral pushing block

\* 以上参数可根据客户要求定制。The above parameters can be customized to customer's requirement.

# 自动压块机 >>

## Fully Automatic Block Press



扫码观看视频  
Scan Here to Watch the Video



扫码观看视频  
Scan Here to Watch the Video



适用：易拉罐，铝箔边角料的压缩成块。PLC控制，连续加料，压缩出包自动完成。压缩后成块产品可直接搬运，方便储运，降低运输成本。

Application: Suitable for can, aluminum foil scraps compressing into a block. PLC control system with continuous feeding capability, complete the baling and output action automatically in a smooth manner, significantly benefit to reduce the cost in transportation and storage.



适用：木屑，颗粒类，粉类等材料压缩成块，方便储存，降低运输成本。

采用PC控制系统，全自动无人操作，卧式连续出包，速度快，产量高。

液压驱动，运行稳定，在投料口加有检测开关，配合输送机上料，可实现无人生产。

This series is suitable for compressing wood sawdust, granules, powder, and other material, greatly increasing the efficiency and cost-effective in transportation and storage. This product process quickly and efficiently to maximize productivity including features of PLC control system, fully automated operation, and horizontal continuous output design. Hydraulically driven with stable performance, equipped with detective feeding sensor, capable to connect with material feeding conveyor to achieve unmanned production.

型号 Model	压缩力 Hydraulic Power (Ton)	加料口尺寸 Feed Opening Size (L*W) mm	包块尺寸 Bale Size (W*H*L)mm	功率/马力 Power (KW/HP)	包块重量 Bale Weight (KG)	打包能力 Capacity (Ton/hr)
JPY-T60W	60	900*430	430*280*(150-250)	22/30	15-20	0.5-1
JPY-T80W	80	1000*450	450*300*(150-250)	22/30	18-25	0.8-1.5
JPY-T100W	100	1100*500	500*330*(200-300)	30/40	20-32	1-1.8
JPY-T120W	120	1200*550	550*400*(250-350)	37/50	30-40	1.5-2.5

\* 以上参数可根据客户要求定制。The above parameters can be customized to customer's requirement.

型号 Model	压缩力 Hydraulic Power (Ton)	包块尺寸 Block Size (W*H*L) mm	加料口尺寸 Feed Opening Size (L*H) mm	包块重量 Block Weight (KG)	打包能力 Capacity (Ton/hr)	功率/马力 Power (KW/HP)	机器尺寸 Machine Size (L*W*H) mm	机器重量 Machine Weight (KG)
JPW-AK60	60	300*300*(200-300)	500*300	5-10	0.2-0.5	15/20	3900*900*1350	2100
JPW-AK100	100	320*320*(200-250)	500*320	5-15	0.4-0.8	18.5/25	4000*920*1350	2600
JPW-AK150	150	350*350*(200-300)	500*350	10-16	0.65-1	22/30	4200*950*1399	3000
JPW-AK200	200	450*450*(200-300)	700*480	20-35	1.5-1.8	30/40	4260*1100*1800	4000

\* 以上参数可根据客户要求定制。The above parameters can be customized to customer's requirement.

# 粉碎（破碎）机 >>

## Shredding (Crushing) Machine



扫码观看视频  
Scan Here to Watch the Video



适用：塑胶、金属、木材、废纸、垃圾等材料。经粉碎后可直接回收及压缩打包等处理。

双轴粉碎机采用进口材料刀片，耐用且方便更换。

PLC控制系统，自动超载反转，具有低转速、低噪音等优点。

根据材料不同，可选择刀型规格及类型。

经粉碎后的物料，可通过压缩打包，方便运输存储。

This series is widely used for processing a wide range of materials including plastic, metal, wood, paper, waste, and others. The shredded materials are easy to be compressed and packaged for recycling purpose.

The imported material blade used in this model is extremely durable and convenient for replacing. Product has PLC control system, automatic overloading reversal, working in a quiet and low rotation speed style.

Wide range of selection of the size and type of the blade to meet your requirement to process different materials. The shredded materials can be compressed and packed to increase efficiency on transportation and storage.



型号 Model	功率 Power (KW/HP)	刀片宽度 Blade Width	切刀数量 Blade Quality	刀的材质 Blade Materials	进料口尺寸 Feeding Size	粉碎腔尺寸 Shredding Chamber Dimension	粉碎后物料宽度 (长度可定制) Output Width (Customizable Length)	产能(吨) Capacity(Ton)
JP-DS30	30	50	12	Cr12MoV	1200X550	620X720	50	0.3-0.5
JP-DS37	37	50	20	Cr12MoV	1500X750	1020X720	50	0.8-1.5
JP-DS45	45	30/50	32/20	Cr12MoV	1500X750	1020X720	30/50	1.5-2.3
JP-DS55	55	30/50	36/22	Cr12MoV	1500X750	1120X720	30/50	2-3
JP-DS60S	30+30	50	40/24	Cr12MoV	1650X750	1220X720	50	2.5-3.5
JP-DS60S	45+45	30/50	42/26	Cr12MoV	1750X750	1320X720	30/50	3-4
JP-DS110S	55+55	30/50	46/28	Cr12MoV	1800X750	1420X720	30/50	3.5-5

\* 以上参数可根据客户要求进行定制，The above parameters can be customized to customer's requirement.

## 专用挤水压缩设备 >>

### Dedicated Compressing Machine for Squeezing Water



扫码观看视频  
Scan Here to Watch the Video

适用造纸厂废纸渣、垃圾处理挤水、海产品、农牧产品的压榨去水等行业。

闭口式上下提升开关门结构，一次性出包，出包后无需及时移包。高强度出包门，双缸自动开关门装置，安全可靠。连续进料压缩，挤水效果好，具有集中排水系统，防止污染现场环境。

PLC自动控制系统，无人化操作，安全连锁，可连接送料使用。

Designed for the wastewater squeezing, able to process various type of materials including paper mill waste, seafood, farm waste, and numerous similar materials.

Up down lifting door design, the out-bale action completes at once without needing to manually move the bale immediately. High strength output door, automatic double-cylinder door opening ensures safe and reliable process. Advantages include continuous feed and compression function, comprehensive water squeezing feature, centralized drainage design, to protect the work environment from being polluted.

Other advantages including PLC automatic control, safety interlock, unmanned operation, and the connection with a conveyor is available.



型号 Model	压缩力 Hydraulic Power (Ton)	包块尺寸 Bale Size (L*W*H) mm	加料口尺寸 Feed Opening Size (L*W) mm	处理能力 Handling Capacity (Ton/hr)	压榨后平均含水率 Average moisture content after squeezing	功率/马力 Power (KW/HP)	机器尺寸 Machine Size (L*W*H) mm
JPW60JS	60	500*500*(300-1100)	1000*500	4-7	≤60%	18.5/25	6412*1432*2100
JPW80JS	80	720*720*(300-1100)	1100*720	6-9	≤60%	22/30	6520*1610*2100
JPW100JS	100	750*850*(300-1100)	1200*750	8-12	≤60%	30/40	6700*1650*2100
JPW120JS	120	900*800*(300-1100)	1400*900	10-14	≤60%	37/50	6900*1780*2400
JPW150JS	150	1000*900*(300-1100)	1600*1000	13-17	≤60%	45/60	7390*1800*2750
JPW200JS	200	1100*1100*(300-1100)	1800*1100	16-20	≤60%	60/80	7650*2000*2750

\* 以上参数可根据客户要求定制。The above parameters can be customized according to customer's requirement.

## 桶类压扁机 >>

### Barrels Compressor



扫码观看视频  
Scan Here to Watch the Video

专用机型，适用于油桶、油漆桶等桶类物品压缩成块，无需捆包处理；广泛应用于产生较多废弃桶类的各行业使用。

本机采用液压传动，具有独立的动力结构和电气系统。压缩时自动排放空气及液体，内置接液槽，防止流液污染。装有安全保护装置。

Specially designed for the compression of metal drum materials like oil drums, paint drums, and similar materials, no need for strapping. Widely used in the industries which generate a large number of drums.

This model is hydraulically driven, with independent power system and electrical system. Air and liquid are automatically exhausted during the process of compressing. Equipped with safety protection device and an integrated liquid tray to prevent from liquid contamination.



型号 Model	压缩力 Hydraulic Force (Ton)	压缩范围 Compress Range (L*W*H) mm	压缩腔尺寸 Chamber Size (L*W*H) mm	压缩能力 Capability (Pcs/hr)	功率/马力 Power (KW/HP)	机器尺寸 Machine Size (L*W*H) mm	机器重量 Machine Weight (KG)
JPY-T30	30	760*760*(150-900)	760*760*1000	40-50	5.5/7.5	1100*1000*2590	800
JP8060T80	80	800*600*(150-800)	800*600*1270	50-100	15/20.5	1550*1140*3400	2600

\* 以上参数可根据客户要求定制。The above parameters can be customized to customer's requirement.

## 链板输送线 >>

### Chain Plate Conveyor



机架材质为全钢板结构，坚固耐用。  
可做地基预埋地坑基础，将输送线中水平部分置于地坑中，在加料时，可连续化将物料直接推入地坑中，高效率输送物料。

The conveyor is made of all-steel structure to significantly enhance stability and durability. The horizontal part of the conveyor can be embedded into the prebuilt pit on the ground. Highly efficient feeding can be achieved by continuously input the materials into the pit directly.

输送线 (Conveyor Series)	材质 (Material)	传动方式 (Driving Model)	输送速度 (Conveying Speed)	规格尺寸 (Specification Size)
链板输送线 Chain Plate Conveyor	钢板 Steel Plate	链条传动 Chain Drive	0-20m/分 (min)	任意 Any Size
皮带输送线 Belt Conveyor	PVC	滚筒传动 Roller Drive	0-15m/分 (min)	任意 Any Size

\* 以上参数可根据客户要求进行定制。The above parameters can be customized to customer's requirement.

## 皮带输送线 >>

### Belt Conveyor



传送带材质为定制的四层复合PVC材质，耐磨。  
PVC 皮带可加装间隔挡板，使物料不易滑落，上料速度更快。  
如图输送线可分为底部为三角储料斗式和水平式两种。

This conveyor is made of specially designed four-layer PVC material with high wearing resistance. Interval baffle can be added on the PVC belt to prevent the material from easily falling back, to enhance the material feeding speed. The bottom of the conveyor line is customizable to two types including triangle and horizontal style as shown in the pictures.

